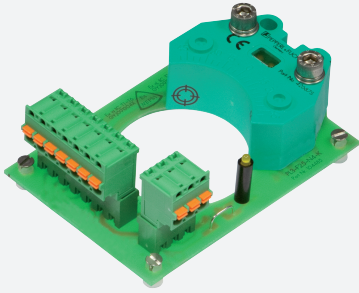


# Inductive sensor

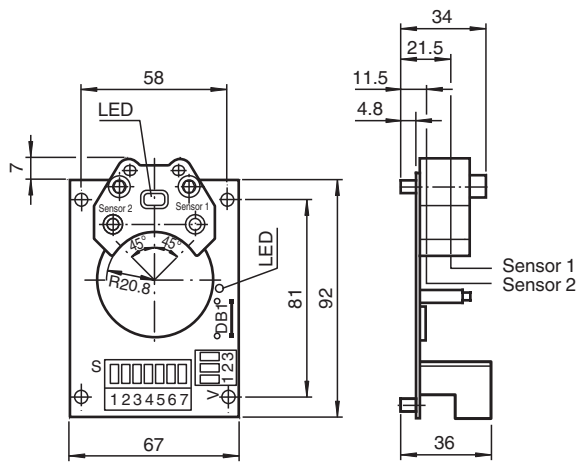
## PL3-F25-N4-K



- For installation in housing
- PL3... with valve and screen connection
- Valve LEDs disconnectable (wire jumper)
- ATEX & IECEx certifications



### Dimensions



### Technical Data

General specifications		
Switching function		2 x normally closed (NC)
Output type		NAMUR
Rated operating distance	$s_n$	3 mm
Installation		flush mountable
Assured operating distance	$s_a$	0 ... 2.43 mm
Actual operating distance	$s_r$	2.7 ... 3.3 mm
Reduction factor $r_{Al}$		0.52
Reduction factor $r_{Cu}$		0.43
Reduction factor $r_{304}$		0.86
Reduction factor $r_{St37}$		1
Reduction factor $r_{Brass}$		0.54
Output type		2-wire
Nominal ratings		
Nominal voltage	$U_o$	8.2 V ( $R_i$ approx. 1 k $\Omega$ )
Operating voltage	$U_B$	5 ... 25 V
Switching frequency	$f$	0 ... 100 Hz

Release date: 2023-01-25 Date of issue: 2023-01-25 Filename: 291801\_eng.pdf

Refer to "General Notes Relating to Pepperl+Fuchs Product Information".

Pepperl+Fuchs Group  
www.pepperl-fuchs.com

USA: +1 330 486 0001  
fa-info@us.pepperl-fuchs.com

Germany: +49 621 776 1111  
fa-info@de.pepperl-fuchs.com

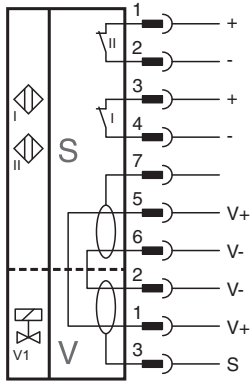
Singapore: +65 6779 9091  
fa-info@sg.pepperl-fuchs.com

**PEPPERL+FUCHS**


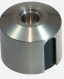

## Technical Data

Hysteresis	H	typ. 5 %
Reverse polarity protection		reverse polarity protected
Short-circuit protection		yes
Suitable for 2:1 technology		yes , Reverse polarity protection diode not required
Current consumption		
Measuring plate not detected		≥ 3 mA at nominal voltage
Measuring plate detected		≤ 1 mA at nominal voltage
Time delay before availability	t <sub>v</sub>	≤ 1 ms
Switching state indicator		LED, yellow
Valve status indicator		LED, yellow can be switched off by of DB1
<b>Functional safety related parameters</b>		
MTTF <sub>d</sub>		834 a
Mission Time (T <sub>M</sub> )		20 a
Diagnostic Coverage (DC)		0 %
<b>Compliance with standards and directives</b>		
Standard conformity		
NAMUR		EN 60947-5-6:2000 IEC 60947-5-6:1999
Electromagnetic compatibility		NE 21:2007
Standards		EN 60947-5-2:2007 EN 60947-5-2/A1:2012 IEC 60947-5-2:2007 IEC 60947-5-2 AMD 1:2012
<b>Approvals and certificates</b>		
IECEX approval		
Equipment protection level Ga		IECEX TUN 17.0021X
Equipment protection level Gb		IECEX TUN 17.0021X
Equipment protection level Mb		IECEX TUN 17.0021X
ATEX approval		
Equipment protection level Ga		TÜV 99 ATEX 1479 X
Equipment protection level Gb		TÜV 99 ATEX 1479 X
Equipment protection level Gc (ic)		PF13CERT2895 X
CCC approval		
Hazardous Location		2020322315002262
NEPSI approval		
NEPSI certificate		GYJ19.1410X
<b>Ambient conditions</b>		
Ambient temperature		-25 ... 100 °C (-13 ... 212 °F)
Storage temperature		-40 ... 100 °C (-40 ... 212 °F)
<b>Mechanical specifications</b>		
Connection (system side)		Cage tension spring terminals
Core cross section (system side)		up to 2.5 mm <sup>2</sup>
Connection (valve side)		Cage tension spring terminals
Core cross section (valve side)		up to 2.5 mm <sup>2</sup>
Housing material		PBT
Sensing face		PBT
Mass		91 g
Tightening torque, fastening screws		0.3 Nm
<b>General information</b>		
Use in the hazardous area		see instruction manuals

**Connection**



**Accessories**

	<b>BT32</b>	Activator for F25 series
	<b>BT32XAS</b>	Activator for F25 series
	<b>BT33</b>	Activator for F25 series
	<b>BT34</b>	Activator for F25 series

Release date: 2023-01-25 Date of issue: 2023-01-25 Filename: 291801\_eng.pdf